

U.S. PATENT & TRADEMARK OFFICE
MAR 03 2003

FIG. 15

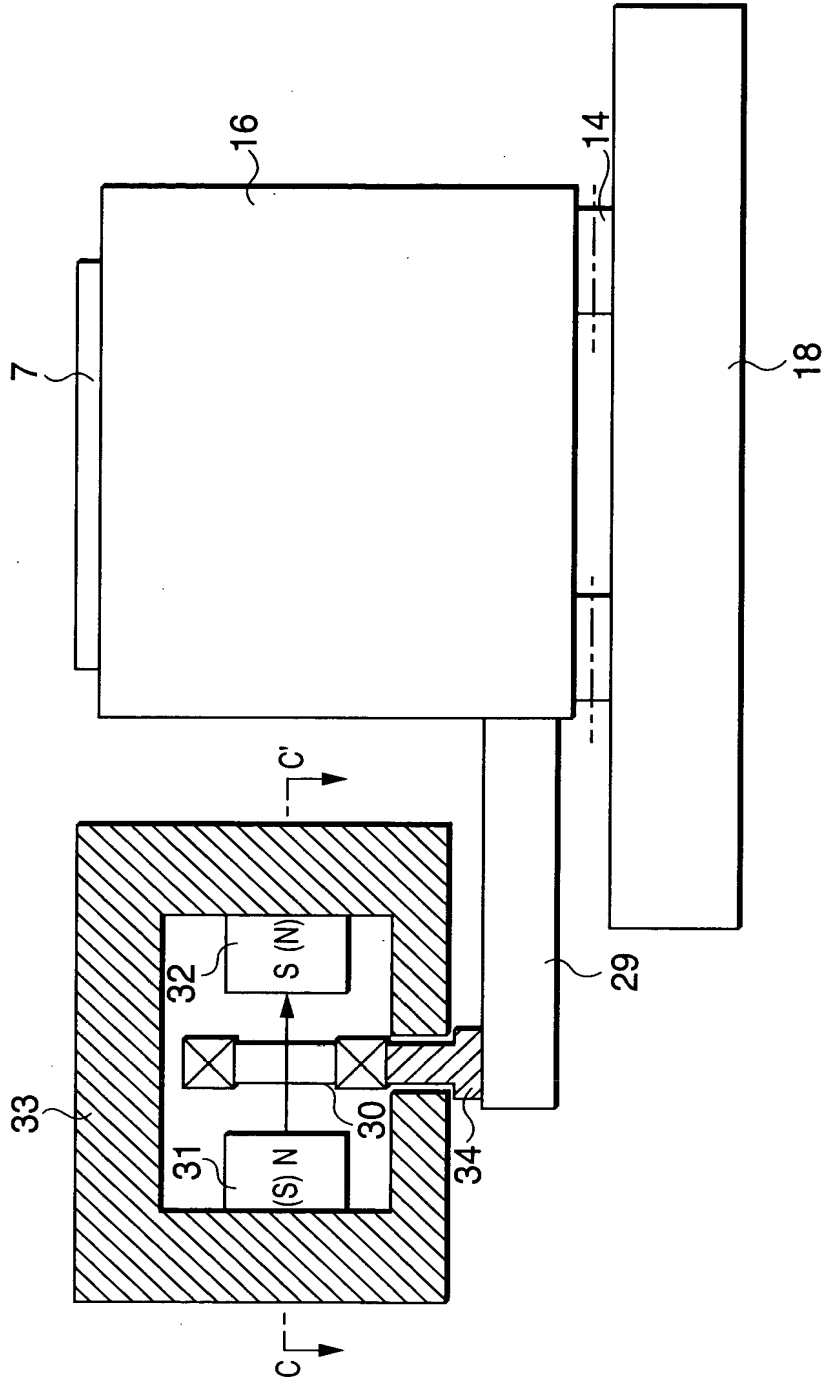
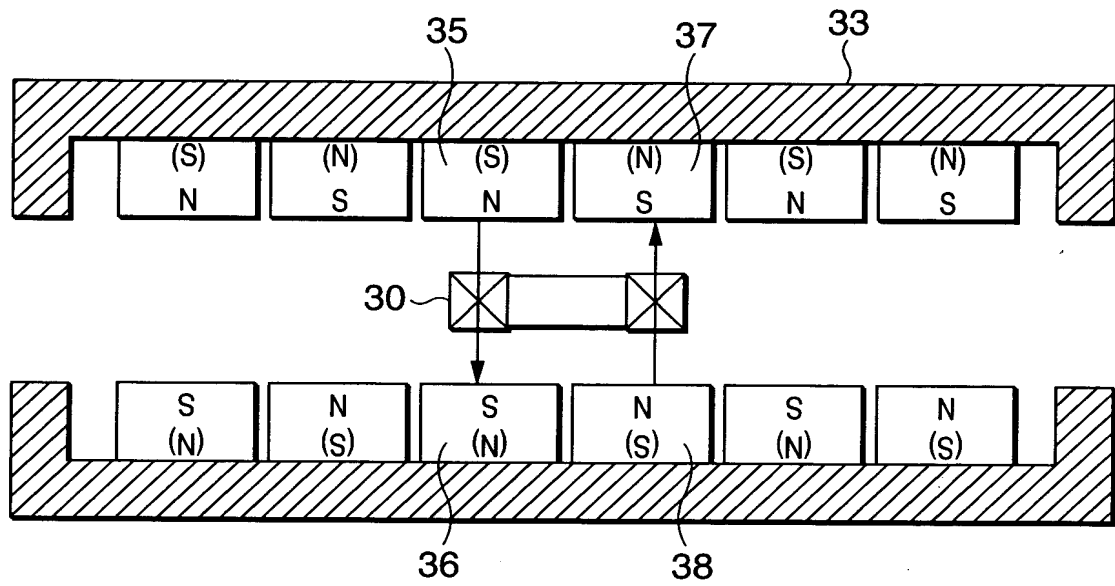


FIG. 16



CROSS-SECTIONAL VIEW TAKEN ALONG LINE C - C'

FIG. 17

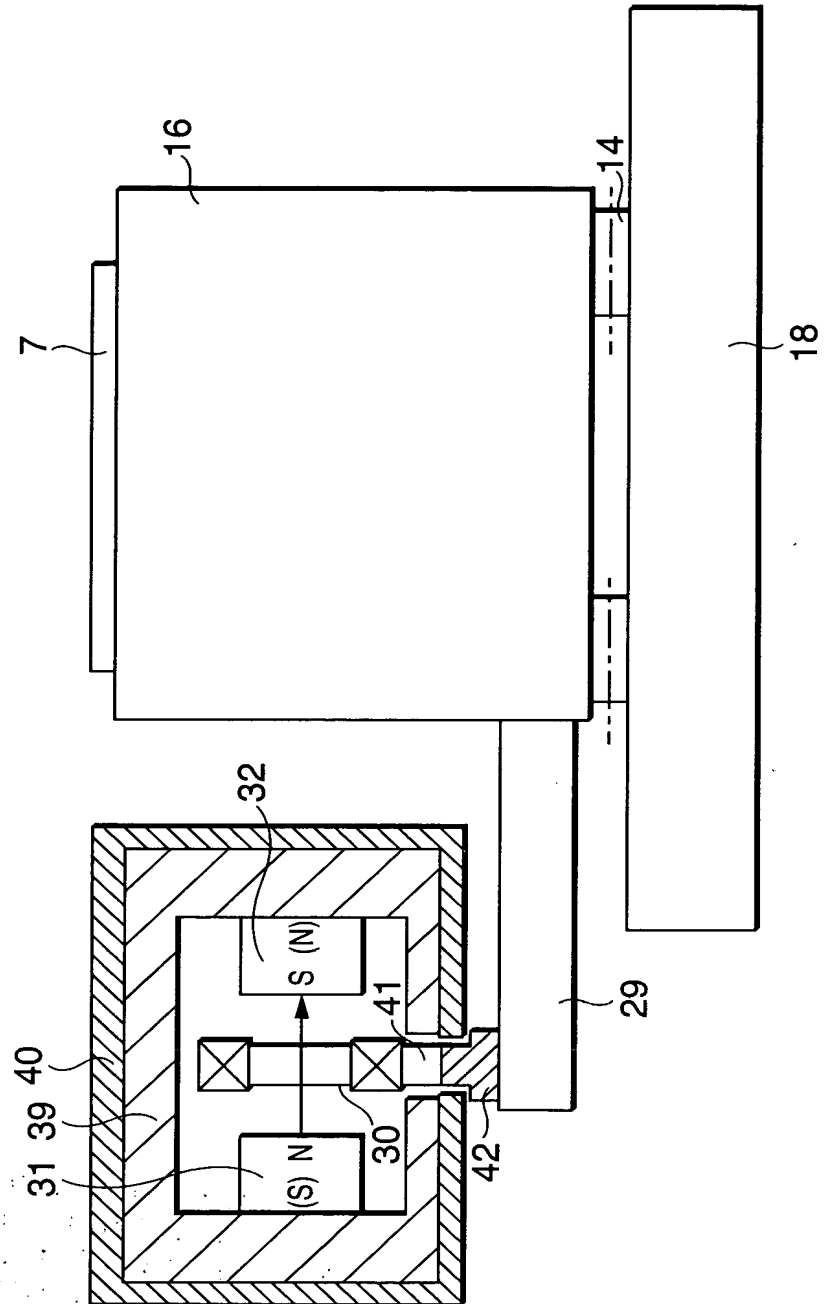
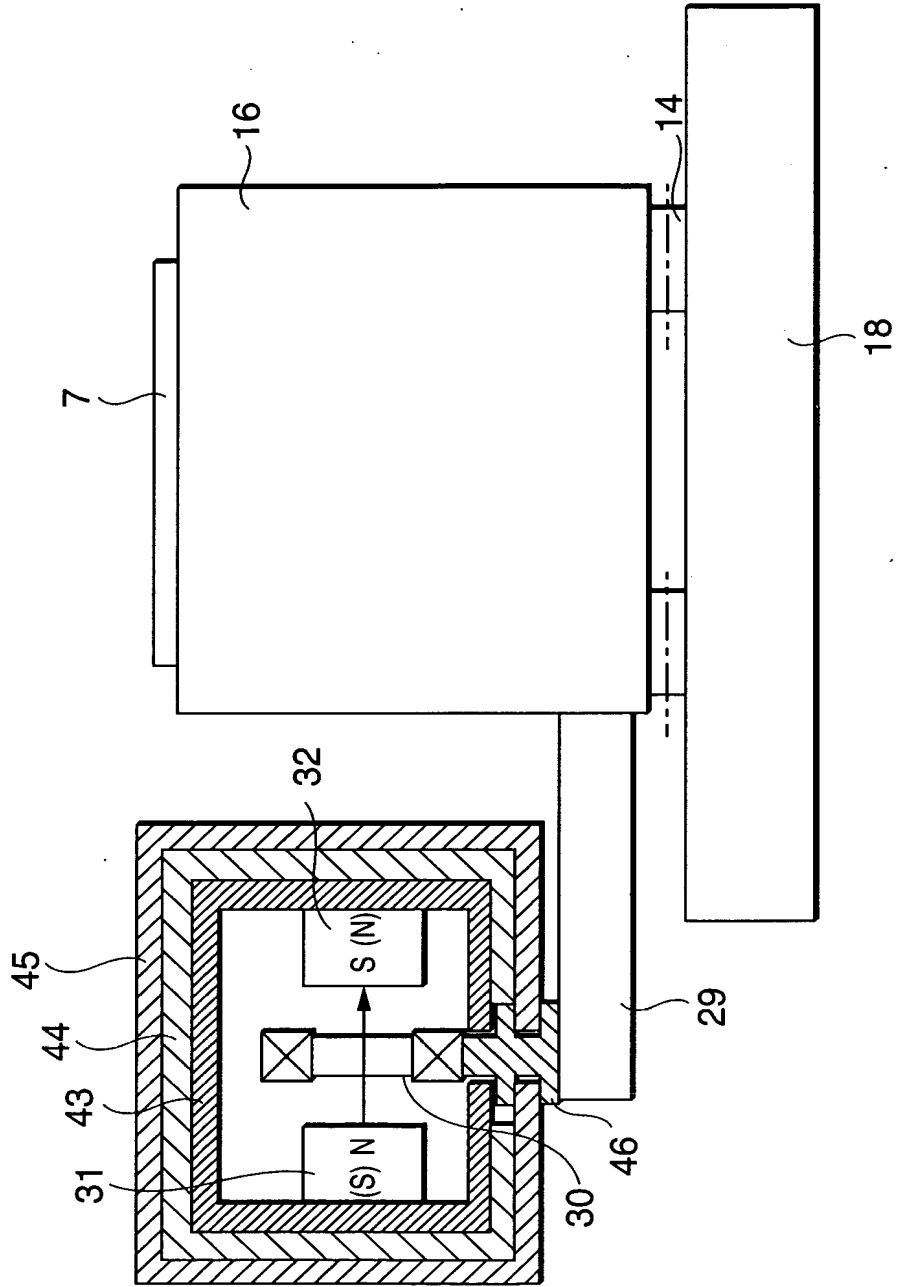
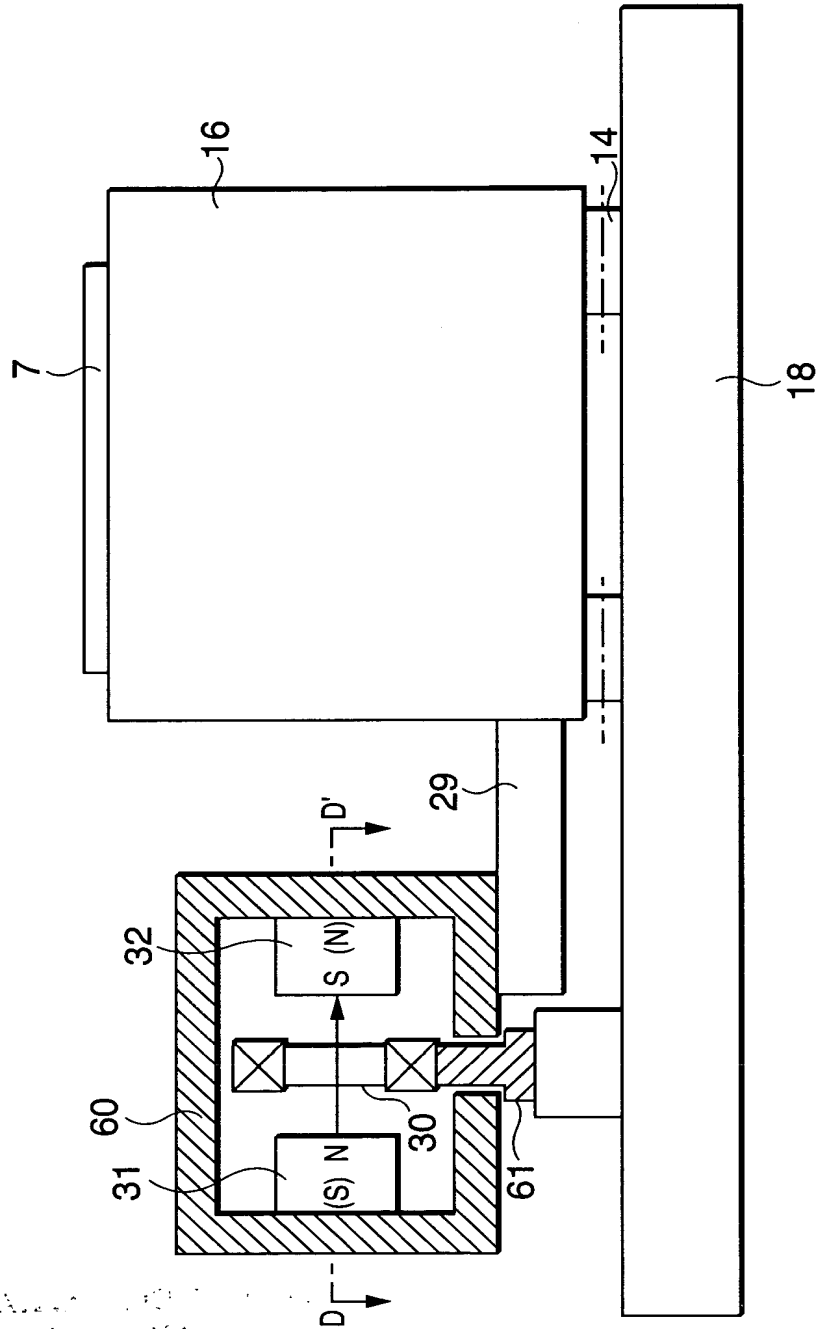


FIG. 18



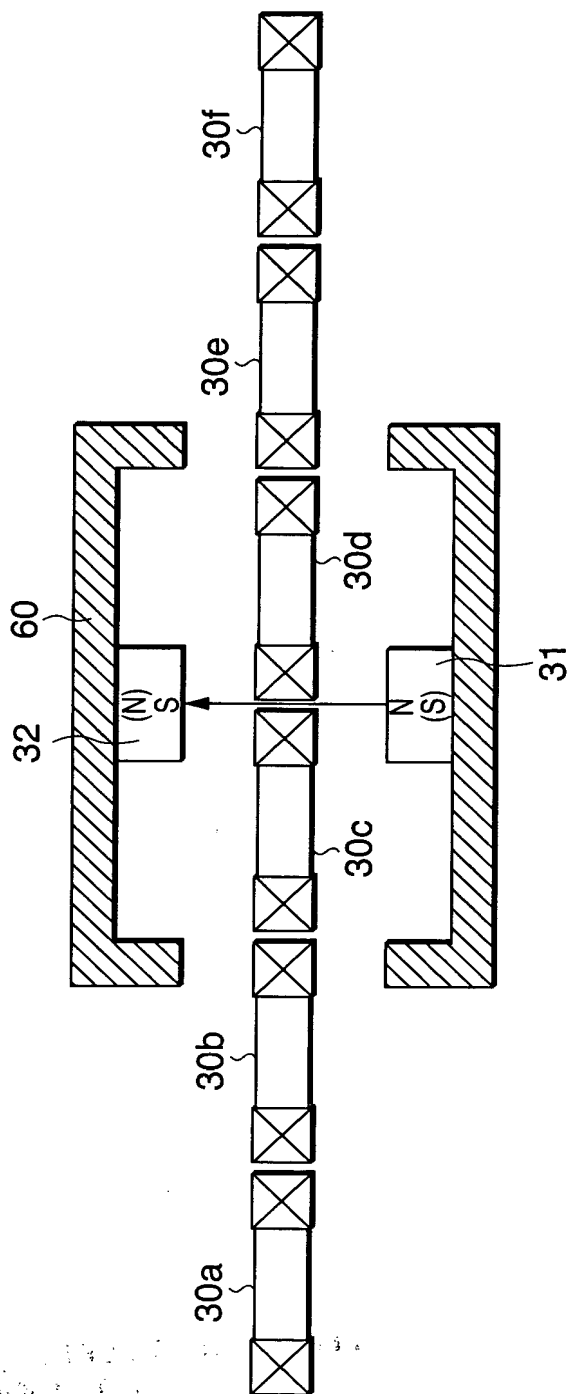
U.S. PATENT AND TRADEMARK OFFICE
WASHINGTON, D.C. 20540
MAR 03 2003
18/26

FIG. 19



U.S. PATENT OFFICE
WASHINGTON, D.C. 20540
MAR 03 2003
PATENT & TRADEMARK OFFICE

FIG. 20



CROSS-SECTIONAL VIEW TAKEN ALONG LINE D - D'